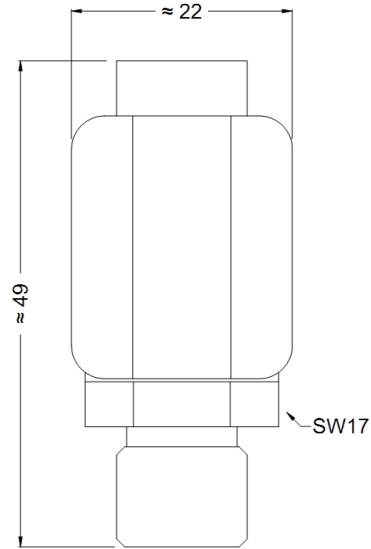
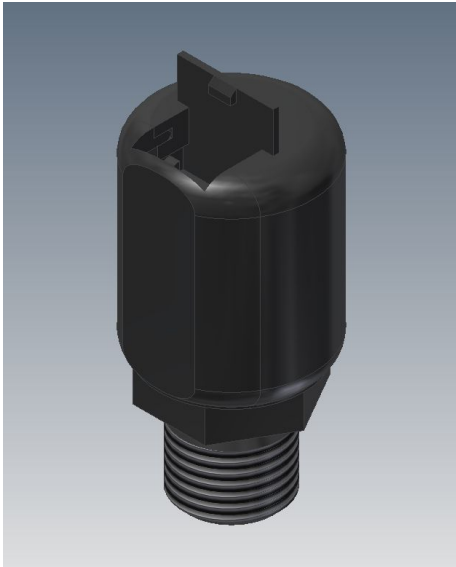


TRANSDUCERS "X" SERIES – PRELIMINARY DATASHEET 变送器"X"系列 - 规格书



The "X" Series transducers are best suited to the following applications(X 系列变送器适用如下应用场合):

- Heating systems 加热系统
- Air conditioning systems 空调系统
- Boiler systems 壁挂炉系统
- Industrial applications 其他工业应用

General Features 一般参数

Plastic Housing 塑料外壳	Polyamide 66 (PA 66) or similar
Sensor 传感器	Alumina Al_2O_3
Seal 密封材料	EPDM; VITON; SILICONE; NBR
Connector 电气接头	Stocko 7234 Series
Protection Class 保护等级	IP 00
Weight 重量	≈ 15g

Operational Features 工作参数

Operating Range 压力范围	0 ÷ 4 bar
Overload Pressure 过载压力	≤ 10 bar
Breakdown Pressure 破坏压力	≥ 15 bar
Fluid Temperature 流体温度	≤ 100°C
Environmental Temperature 环境温度	≤ 90°C

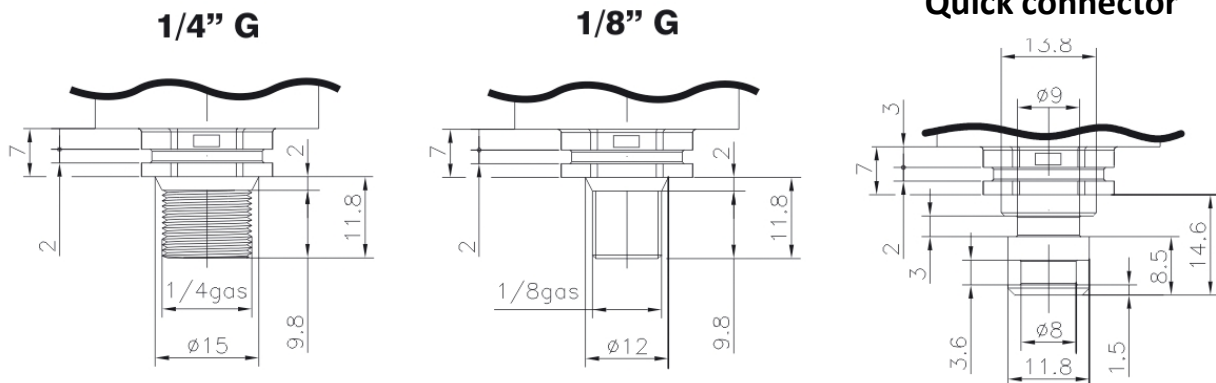
Fluid 流体种类

Liquid, gas, or water containing the usual concentrations and additives for heating circuits and glycols 液体, 气体或含为供热回路和防冻液所需一般浓缩物和添加剂的水

Electrical Features 电气参数

Supply 供电电压	5 VDC; 8-30VDC available on request
Output Signal 输出信号	0...4 bar: 0.5...2.5VDC; 0.5...3.5VDC

Connections* 压力接头*



*Other connections available on request 其他压力接头根据客户要求定制